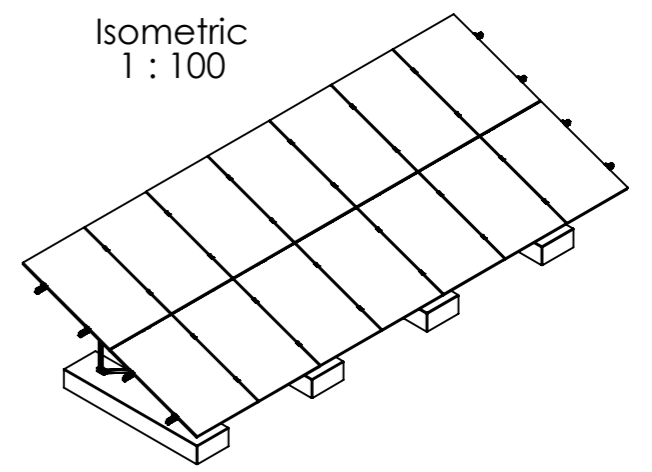


Acc. to the installation manual, the clamp position and the modules have to be installed in a symmetrical arrangement to the beam length.



14 modules (2x7 Portrait)  
for module width  $\le 1155$  mm

12 modules (2x6 Portrait)  
for module width 1155-1303 mm

Peak velocity  $q_p[z]$ : 0.67kN/m<sup>2</sup>  
Ground snow load  $S_k$ : 1.75kN/m<sup>2</sup>

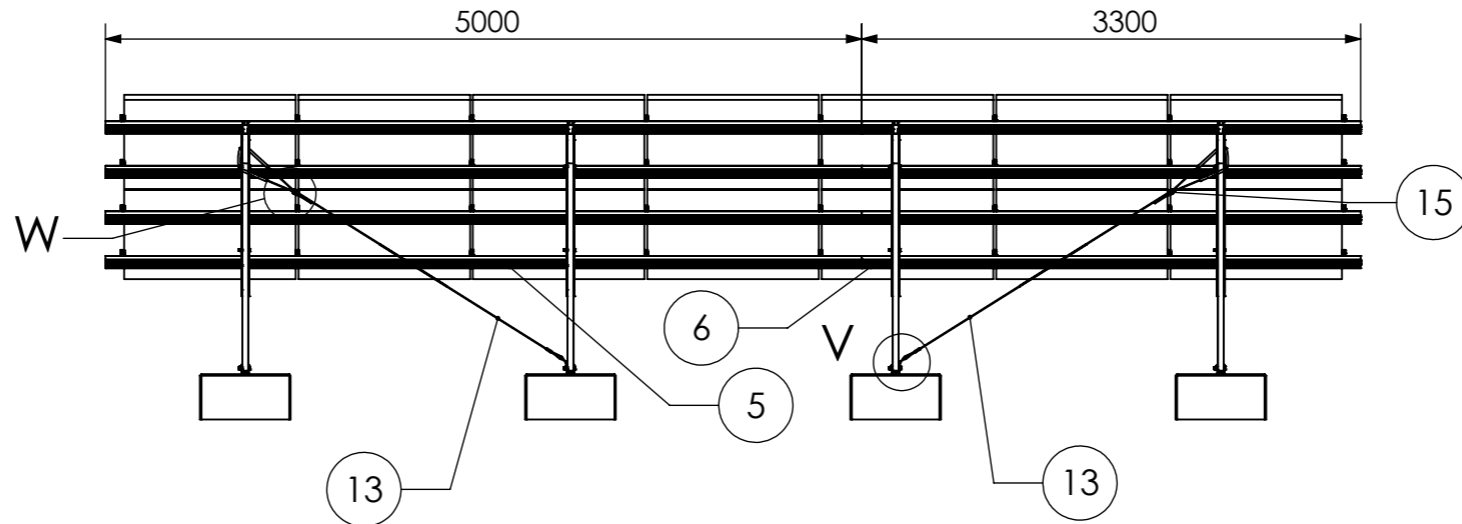
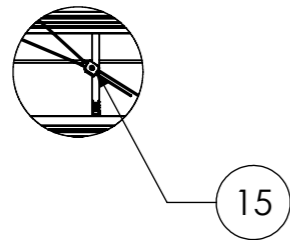
**K2 systems** GmbH  
Haldenstr. 1  
71272 Renningen  
Germany  
+49 7159 42059-0

Designation:  
**Data sheet  
N-Rack 2.20 Concrete 2x7 S**

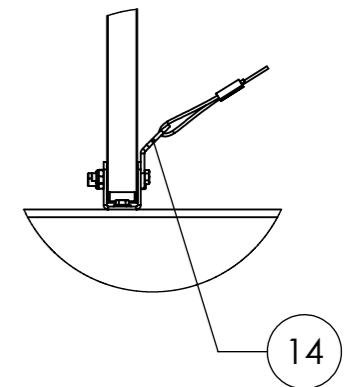
Name	Date	Material:	Item no.:	A3
Designed C. Erb	18.12.2025	-	---	All dimensions in mm Sheet 1 of 1
Approved L. Kreemke	16.03.2026	Surface: -	Drawing no.: ---	
Last change		Weight: -	Scale: 1:50	

This drawing is the sole property of K2 Systems GmbH. It is protected by copyright and may only be copied, reproduced or distributed to a third party with explicit permission!

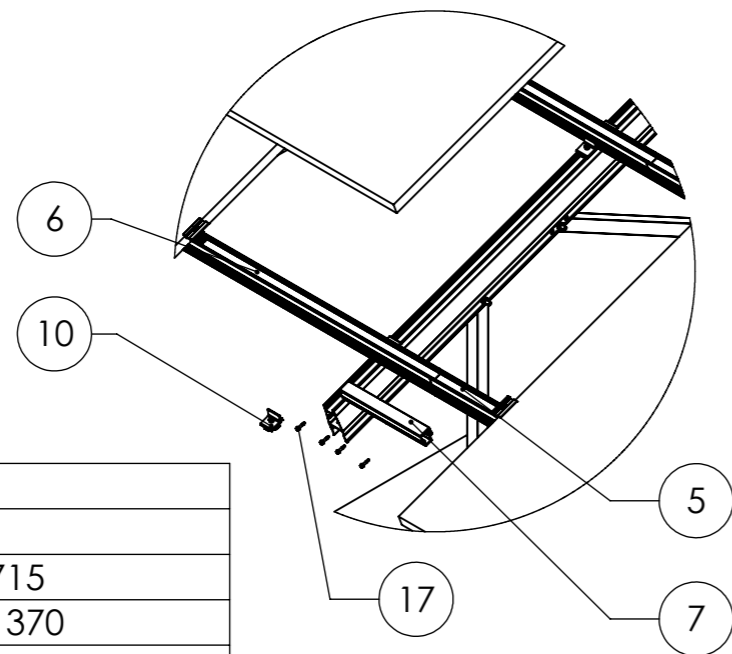
Detail W  
1 : 20



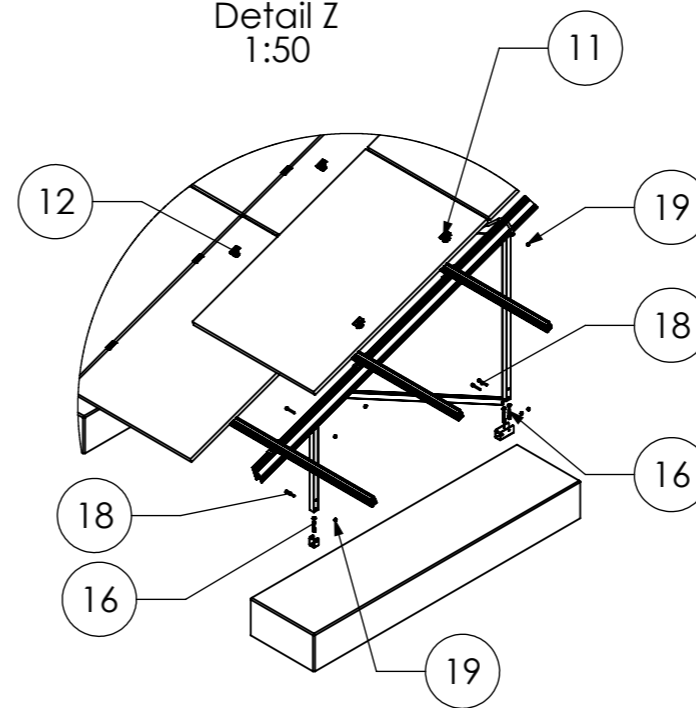
Detail V  
1 : 10



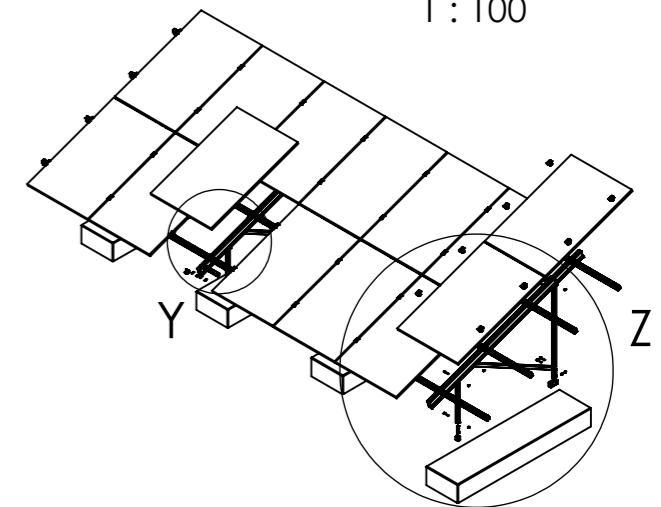
Detail Y  
1 : 20



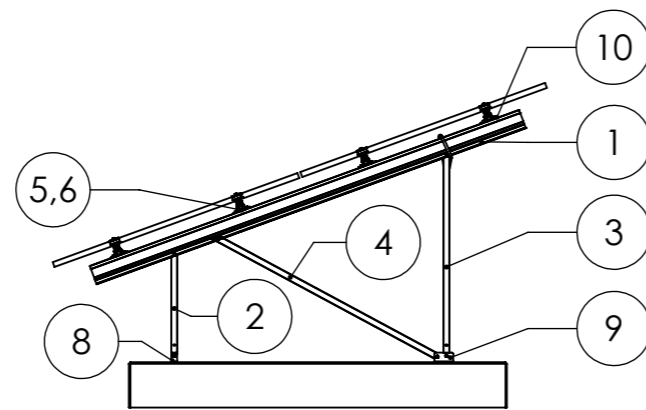
Detail Z  
1:50



Isometric  
1 : 100



Pos.No.	Designation
1	Beam N-Rack 3020
2	3-Hole Brace N-Rack 715
3	3-Hole Brace N-Rack 1370
4	2-Hole Brace N-Rack 1696
5	CrossRail 73 - 5 m
6	CrossRail 73 - 3,3 m
7	CrossRail 73 Connector
8	N-Rack Foot front
9	N-Rack Foot back
10	Climber 36/50 Set
11	EC Clamp Set
12	MC Clamp Set
13	Gripple Bracing
14	Gripple Angle
15	Gripple Lock
16	Heco Multi-Monti 12 x105 - A4
17	Self-tapping screw 5,5 x 25 - A2
18	Hexagon head bolt M10 x 70 ISO 4014 - A2-70
19	Hexagon nut M10 - DIN 985 - A2-70



14 modules (2x7 Portrait)  
for module width ≤ 1155 mm

12 modules (2x6 Portrait)  
for module width 1155-1303 mm

Peak velocity  $q_p[z]$ : 0.67kN/m<sup>2</sup>  
Ground snow load  $S_k$ : 1.75kN/m<sup>2</sup>



K2 Systems GmbH  
Haldenstr. 1  
71272 Renningen  
Germany  
+49 7159 42059-0

Designation:  
**Data sheet**  
**N-Rack 2.20 Concrete 2x7 S**

Name	Date	Material:	Item no.:	A3
Designed C. Erb	18.12.2025	-	---	
Approved L. Kreemke	16.03.2026	Surface: -	Drawing no.:	All dimensions in mm
Last change		Weight: -	---	
This drawing is the sole property of K2 Systems GmbH. It is protected by copyright and may only be copied, reproduced or distributed to a third party with explicit permission!			Scale: 1:50	Sheet 1 of 1